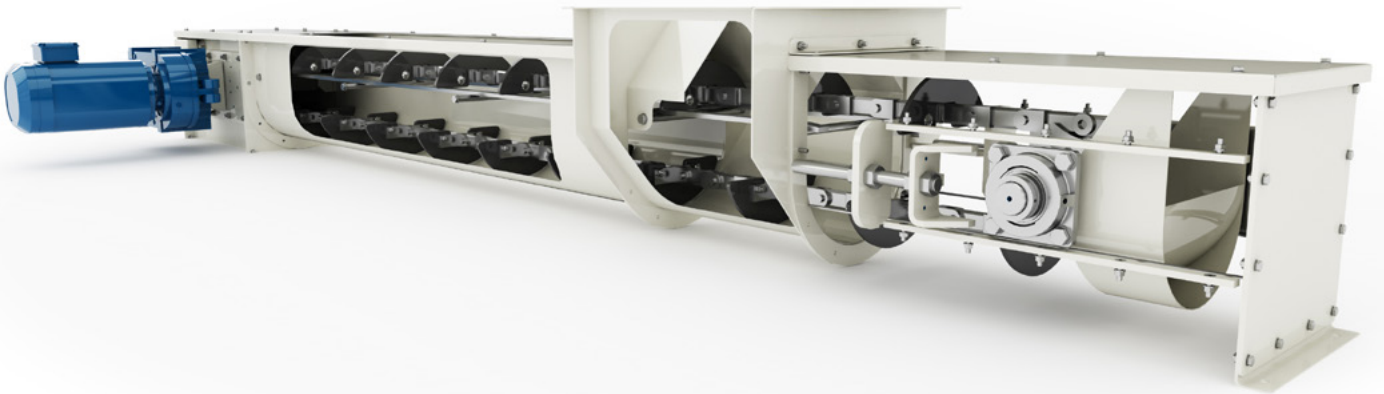


# Datasheet

# Flight Conveyors



4545 BOYCE PARKWAY STOW, OHIO 44224  
INFO@ANDERSONFEEDTECH.COM  
☎ +1 216-641-1112  
www.andersonfeedtech.com



**ANDERSON™**  
FEED TECHNOLOGY  
*powered by Ottevanger*

## General

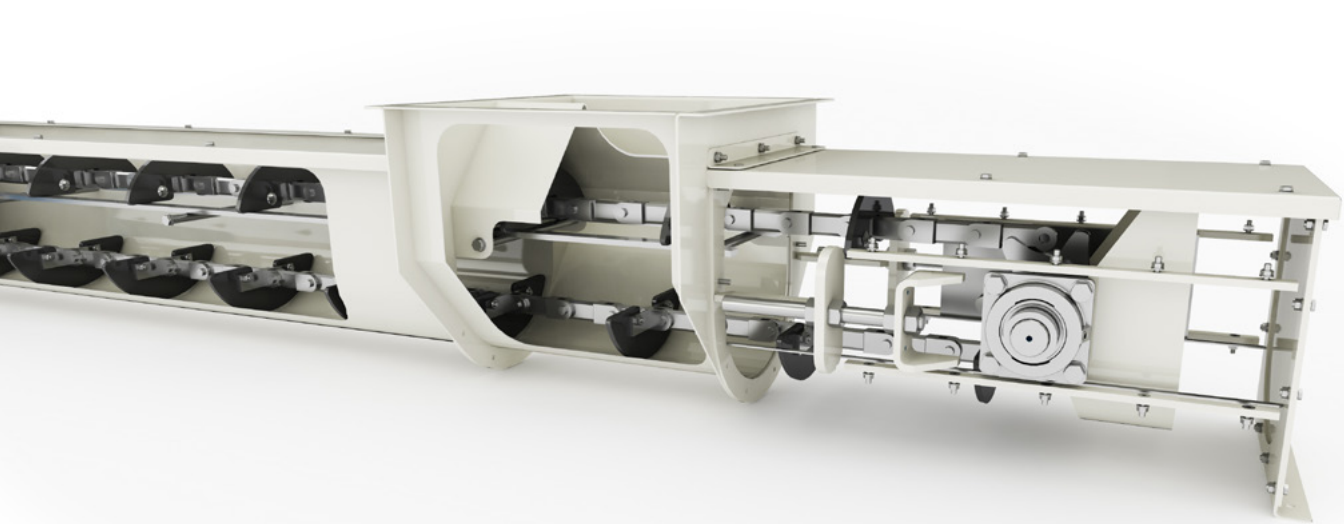
Anderson Feed Technology Flight conveyors are used for applications that have the most strict hygienic demands. The Flight conveyors are suitable for conveying practically all powders and granulates. Capacities range from 30 up to 400 m<sup>3</sup>/h. These conveyors are capable of inclined conveying up to an angle of 40°.

## Features

- S235 steel trough, U-shaped, fully enclosed design
- Primer and paint finish
- Geared drive units
- Flexible coupling
- Product overflow detection is standard
- Chain tensioner
- Guide strips for the flights
- HMPE flights

## Special Executions

- Executed in AISI304
- Executed in galvanized S235 steel
- Double the amount of flights
- Bombdoor outlets
- Speed sensor
- ATEX22 zoned drive-units
- Intermediate outlets
- Inclined installation up to 40°



Type	Capacity (ft <sup>3</sup> /h)		
	0,52 (ft/s)	0,65 (ft/s)	0,76 (ft/s)
200	919	1237	1412
300	2826	3532	4237
400	4980	6216	7451
600	10807	13491	16210