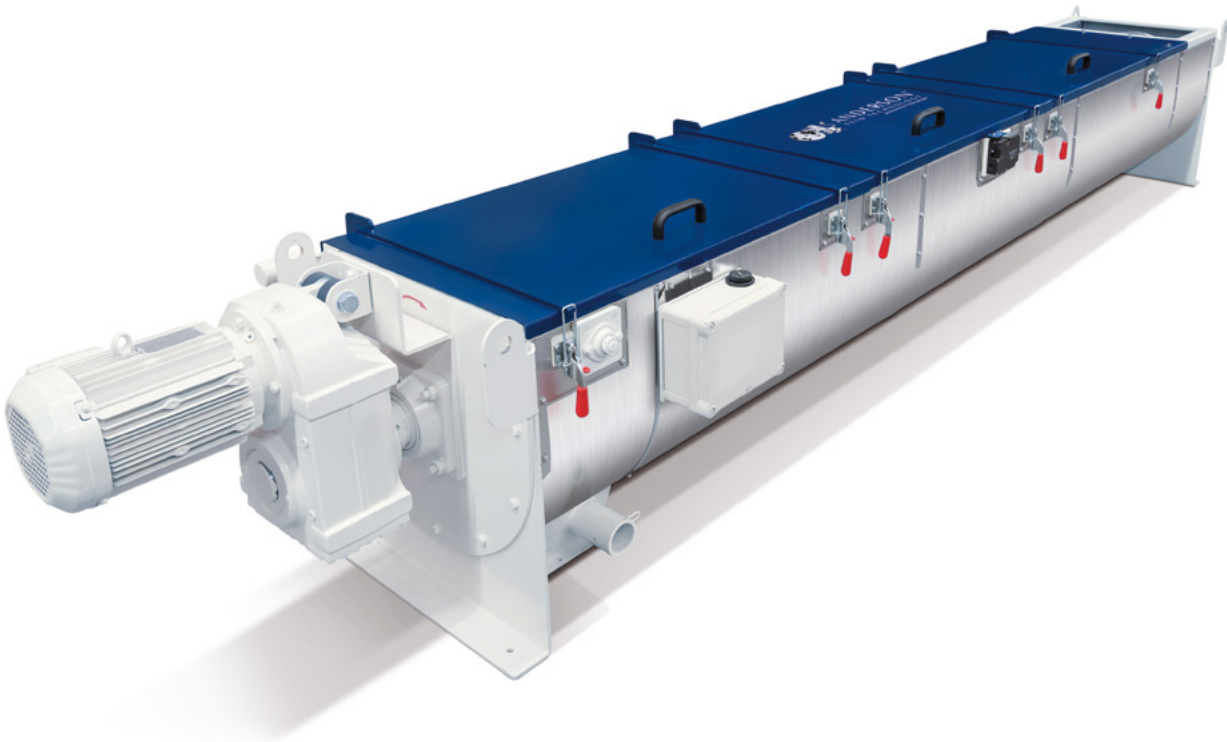


Datasheet

Continuous Coater



4545 BOYCE PARKWAY STOW, OHIO 44224
INFO@ANDERSONFEEDTECH.COM
☎ +1 216-641-1112
www.andersonfeedtech.com



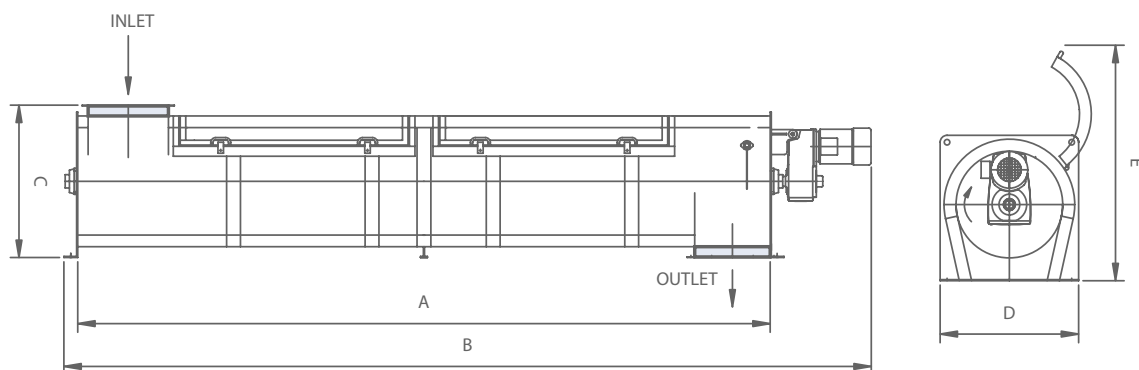
ANDERSON™
FEED TECHNOLOGY
powered by Ottevanger

General

The Anderson Continuous coater is ideal for adding and mixing liquids evenly on pellets and/or extrudates. By dosing the liquids through a spray box, the product and liquids are slowly mixed together. The trough of the coater is available in stainless or mild steel construction with 2 inch thick insulated jacket. The heat treatment promotes absorption of the additives and limits contamination of the products. The coater is equipped with hinged inspection hatches over the full length of the mixing trough, which allows for easy access. Apart from oil and/or fat, vitamins, enzymes, and other ingredients can also be added in small quantities. Additional dosing systems for these products are available upon request.

Features

- Low power consumption
- In stainless or mild steel construction
- Large doors enabling easy inspection/cleaning
- Rigid construction
- Variable heating system with insulated jacket
- Low rate of wear
- Multiple spraying section (optional)
- Spray box capable of dosing multiple liquids
- The liquids are sprayed on an even flow of product



Model	Capacity (t/h)	Drive (Hp)	Dimensions (Inches)					Inspection doors
			A	B	C	D	E	
250	1-3	2	103	129	18	16	34	2x
450	10-15	3	142	169	26	24	20	3x
600	20-25	5	158	187	32	30	60	4x
750	30-40	10	197	232	42	38	65	2x