

# Datasheet

## Double Shaft Paddle Mixer



4545 BOYCE PARKWAY STOW, OHIO 44224

INFO@ANDERSONFEEDTECH.COM

☎ +1 216-641-1112

www.andersonfeedtech.com



**ANDERSON**<sup>™</sup>  
FEED TECHNOLOGY  
*powered by Ottevang*

## General

Anderson double shaft paddle mixers, type DPMA, achieve high mixing capacity with a relatively small footprint. The double shaft paddle mixer has a mixing time, depending on the product type and quantity, between 30 to 60 seconds. The mixers are available with capacities ranging from 100 to over 5,000 gallons. The mixing accuracy can meet the most stringent requirements, while damage to products is minimized due to its design. Extra wide bomb doors and a unique sealing principle ensure a residue and dust free operation. The success of this fast mixing principle is a result of the fluidized zone, in which the particles have a complete freedom of movement. This ensures a very homogenous mixture in a extremely short time

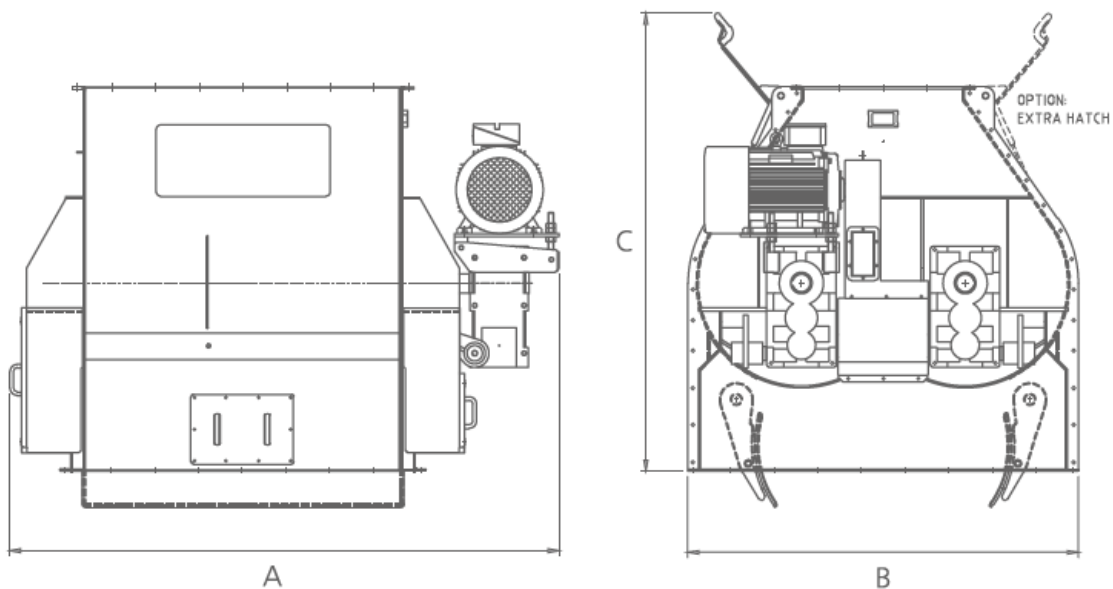
Anderson paddle mixers are designed for mixing dry powders and granulates irrespective of their bulk density or shape. Liquids can be added during the mixing process.

## Features

- Mixing accuracy of 1:100.000/C.V. < 5%
- Short mixing time of approximately 30 - 60 seconds
- Versatile operation
- Minimum filling degree will be 25% of the nominal capacity
- Low power consumption
- Minimum space requirement design
- Available in different materials (S235/304/316) and finishing standards

## Options

- Liquid dosing equipment
- ATEX execution
- Built in load cells
- Replaceable paddles (Hardox)
- Air tightsealing components



Type	Content (US)	Drive (Hp)*	A (inch)	B (inch)	C (inch)	Weight incl. motor(lbs)
DPMA 500	133	10	67	60	52	2530
DPMA 700	185	15	70	62	47	4180
DPMA 1100	290	20	84	65	67	4400
DPMA 1400	370	30	93	71	70	5720
DPMA 2100	555	50	112	93	76	9900
DPMA 4000	1056	75	132	97	83	14300
DPMA 6000	1585	75	137	112	95	15400
DPMA 8000	2113	100	160	131	99	24200
DPMA 10.000	2642	125	180	132	99	27500
DPMA 12.000	3170	200	194	149	126	20000 - 27500

\*basic drive power for products  $\pm 37.5$  lbs/ft<sup>3</sup>