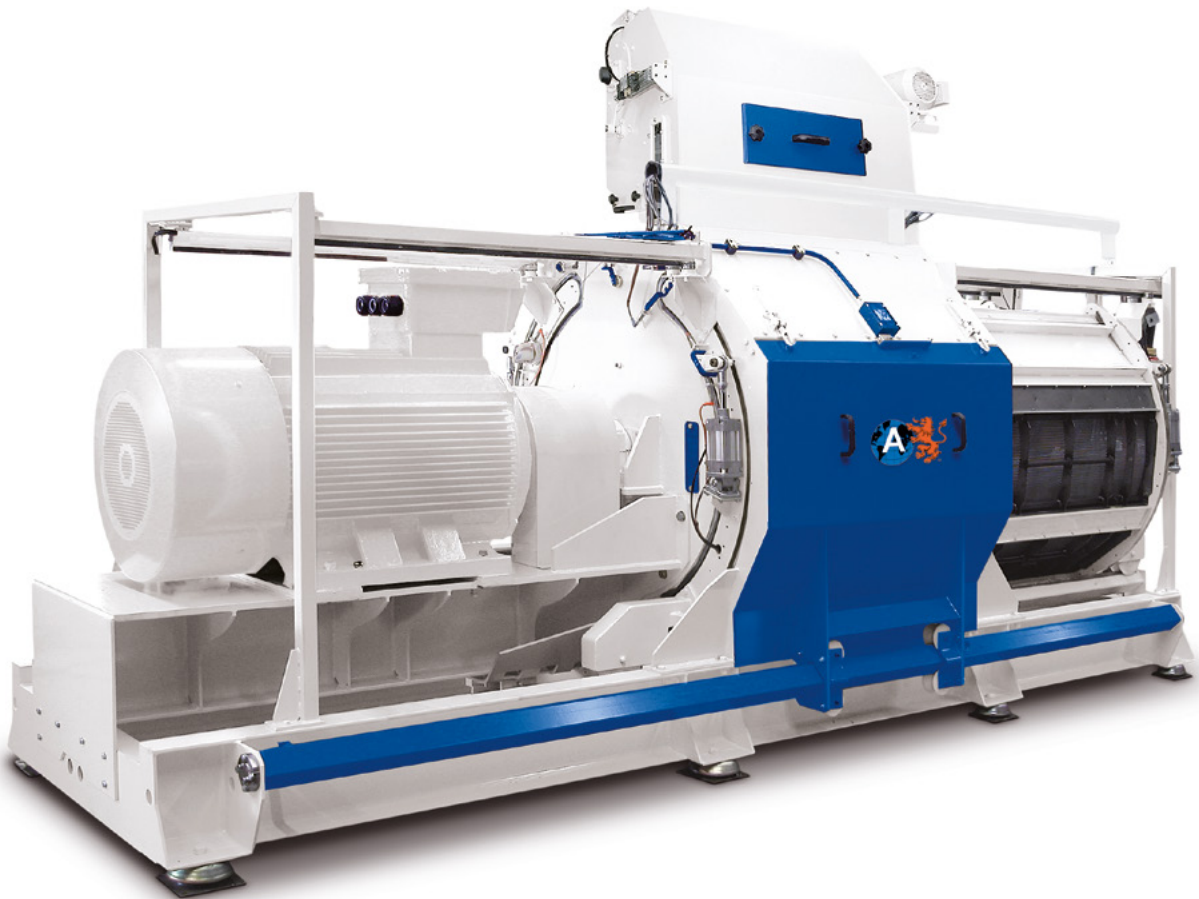


Datasheet

Hammermill Type GHM



4545 BOYCE PARKWAY STOW, OHIO 44224

INFO@ANDERSONFEEDTECH.COM

☎ +1 216-641-1112

www.andersonfeedtech.com



ANDERSON™
FEED TECHNOLOGY
powered by Ottevanger

General

100 years of experience and innovation have led to the development of a wide range of high efficiency hammer mills.

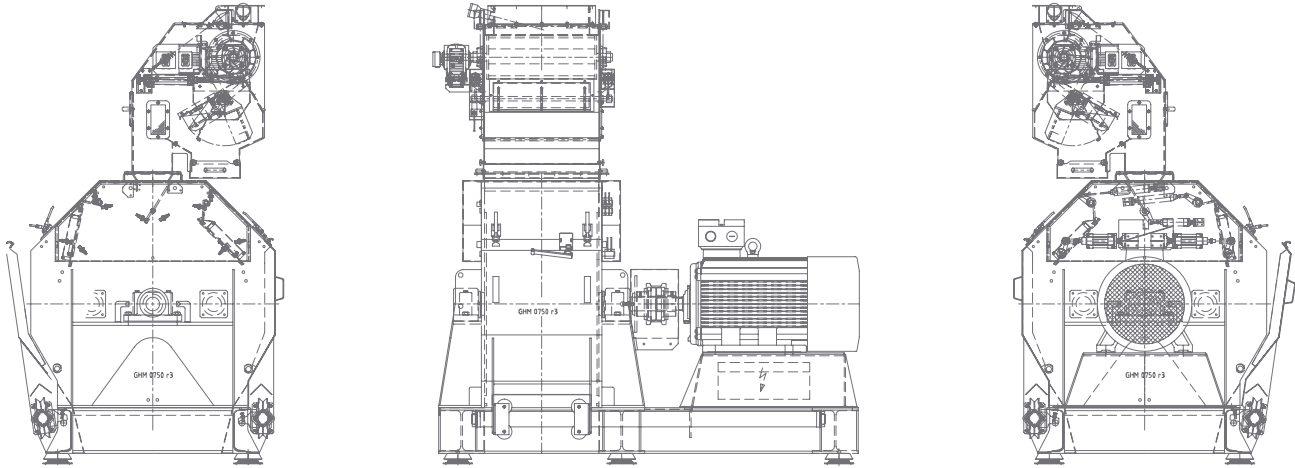
The GHM series are equipped with adjustable breaker plates which can be positioned vertically according to the direction of rotation. Placing the breaker plates at two different positions create an asymmetrically formed grinding chamber. This results in a remarkable increase in impact forces thus less wear on the screens and a smooth flow of product through the grinding chamber. In combination with an Anderson feeder fully automatic load control is possible on these hammer mills.

Features

- Designed for dual direction of rotation
- Electro pneumatic operated product guide valve
- Adjustable breaker plates
- Built on heavy base frame with shock absorbers
- Precisely balanced rotor guarantees a long service life
- 6 rows of hammers
- Suitable for frequency control

Special Options

- 8 rows of hammers for aquatic feed and pet food
- Automatic feeder (optionally frequency controlled)
- Automatic screen changer
- ATEX22 certified components



Type	Motor (hp)	Chamber (B = Inches)	Screen surface (ft ²)	Number of hammers	Capacity (t/h)*		Weight (lbs)**
					Maize	Barley	
GHM-750B (A)	200 - 300	30	50 (36)	90	38	20	5940
GHM-1000B (A)	250 - 350	40	20(50)	114	50	30	7040
GHM-1250B (A)	350 - 550	50	25 (19)	132	60	45	9900

* capacity on a 3/32" inch screen

** weight excl. motor and automatic screen exchange